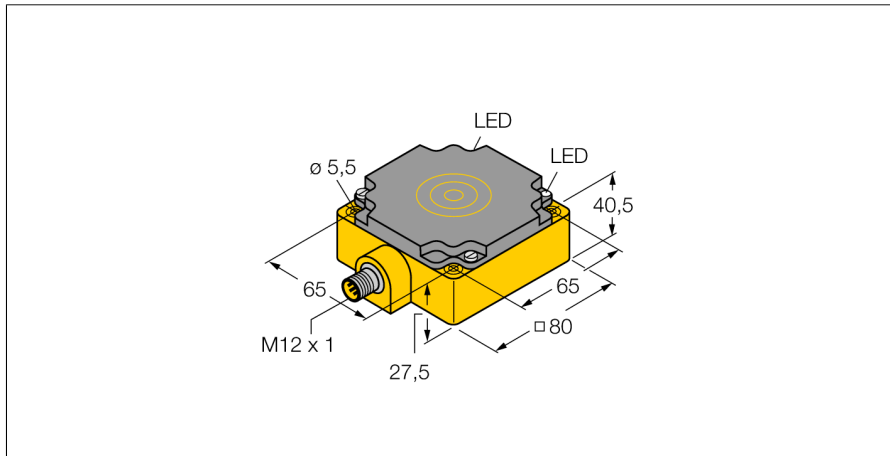
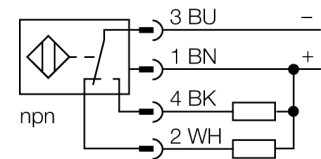


Capacitive sensor NC50-CP80-VN4X2-H1141



- Rectangular, height 40.5 mm
- Active face on top
- Plastic, PBT12-GF30-V0
- Fine adjustment via potentiometer
- DC 4-wire, 10...65 VDC
- Complementary contact, NPN output
- M12 x 1 male connector

Wiring Diagram



Functional principle

Capacitive proximity switches are designed for non-contact and wear-free detection of electrically conductive as well as non-conductive metal objects.

Type designation	NC50-CP80-VN4X2-H1141
Ident-No.	2580292
Ident. no.	2580292
Rated switching distance Sn	50 mm
Mounting conditions	Non-flush
Secured operating distance	$\leq (0.72 \times S_n)$ mm
Repeat accuracy	$\leq 2\%$ of full scale
Temperature drift	type 20 %
Hysteresis	2...20 %
Ambient temperature	-25...+70 °C
Operating voltage	10...65 VDC
Residual ripple	$\leq 10\% U_{ss}$
DC rated operational current	≤ 200 mA
No-load current I_0	≤ 20 mA
Residual current	≤ 0.1 mA
Isolation test voltage	≤ 0.5 kV
Short-circuit protection	yes/ Cyclic
Voltage drop at I_0	≤ 1.8 V
Wire breakage/Reverse polarity protection	yes/ Complete
Output function	4-wire, Complementary contact, NPN
Switching frequency	0.07 kHz
Design	Rectangular,CP80
Dimensions	80 x 80 x 40.5 mm
Housing material	Plastic, PBT-GF30-V0
Active area material	Plastic, PBT-GF30-V0, yellow
Electrical connection	Connector, M12 x 1
Vibration resistance	55 Hz (1 mm)
Shock resistance	30 g (11 ms)
Protection class	IP67
MTTF	1080 years acc. to SN 29500 (Ed. 99) 40 °C
Packaging unit	1
Power-on indication	LED,Green
Switching state	LED,Yellow
Width active area B	80 mm